

**COLORJET DELIVERS
IMPECCABLE PRINT
RESULTS & FLAWLESS
SERVICE ACROSS
THE WORLD**



SPECIFICATIONS

Model		SoniQ i		
Model		SNQ 4412		
Printing Technology		Drop-on-demand, Piezo electric inkjet		
Print Heads		Industrial Grade Jetting Assemblies		
Media	Width	3300 mm (129 in)		
	Thickness	Maximum 3.0 mm (120 mil) with Liner (flexible)		
	Roll Outer Diameter	Maximum 300 mm (12 in), 50.8 (2 in)		
	Roll Weight	Maximum 90 kg		
	Core Diameter	76.2 mm (3 in)		
	Types	SAV, PAV Banner, Backlit Film, Window Film, Fabric (For Solvent Printing)		
Printing Width		Maximum 3200 mm (126 in)		
Ink	Type	Solvent / Mid Solvent Inks		
	No. of Colors	4 Colors (CMYK)		
Printing Resolution (dots per inch)		Maximum up to 1440 dpi		
Distance Accuracy		Error of less than ± 0.3% of distance travelled, or ± 0.3 mm whichever is great		
Media Heating System		Pre-heater and post-heater , setting range for the pre-set temperature: 30°C to 60°C Dryer setting range for the pre-set temperature: 30°C to 60°C		
Connectivity		High Speed USB		
Power Requirements (Peak)		AC 220 v ±10%, 20 Amps, 50/60 Hz		
Printer Dimensions		4525mm x 885mm x 1500mm (LxWxH)		
RIP Software		FlexiPrint		
Weight (approx. with stand)		642 Kgs		
Environmental	Power ON	Temperature: 18°C to 28°C Humidity: 20 to 40% RH (non-condensing)		
	Power OFF	Temperature: 5 to 40°C Humidity: 20 to 80%RH (non-condensing)		
Speed(In Sq Mtrs/Hr)	Print DPI	Passes	SqMtr/Hour	SqFt/Hour
Mode 1	360x360	2	114	1232
Mode 2	360x540	3	77	830
Mode 3	360x720	4	62	664
Mode 4	720x720	4	33	348
Mode 5	720x1080	6	22	232
Mode 6	720x1440	8	17	177

Note: Take up roller option also provided

**ROBUST
FUTURISTIC
PRINTER WITH
UNMATCHABLE
POWER AND
SPEED**

SONIQ i
3.2 MTR Roll-to-Roll Printer



COLORJET GROUP

INDIA : B-195, Phase-II, Noida-201305 (U.P.), INDIA. T +91 120 4548195 | DUBAI : Block-A, Office No: 115, Hamsah Building, Karama, P.O. Box: 123360, Dubai-UAE. T 00971 43961744 | sales@colorjetgroup.com | www.colorjetgroup.com

Accessories shown along with different printers in this brochure are not part of standard equipment. Color may vary from actual body color due to printing on paper. Colorjet reserves the right to change specifications without prior notice. All speed limits mentioned in this brochure were tested under special conditions. All trademarks, logos, symbols and designs depicted / mentioned in this brochure are trade names, trademarks and copyrights of their respective brand owners.



India's No.1 with over **6,000 installations**
- IDC 2019 Q4 Super Wide Format Report



#VOCAL FOR LOCAL



SONIQ i

3.2 MTR Roll-to-Roll Printer

INTENSIFY
SIGNAGE PRINTING
EXPERIENCE WITH
ULTRA-MODERN SONIQ i

The span-new **SoniQ i** is an ideal choice for the indoor and outdoor signage industry. Blend with splendid features; the machine delivers excellent print quality at an ultra-fast speed of **1232 sqft/hr**. It offers maximum performance at a minimum investment and develops business potential. With **3.2 mtr roll** capability to accommodate every media size, it can consistently produce precise and vibrant prints.

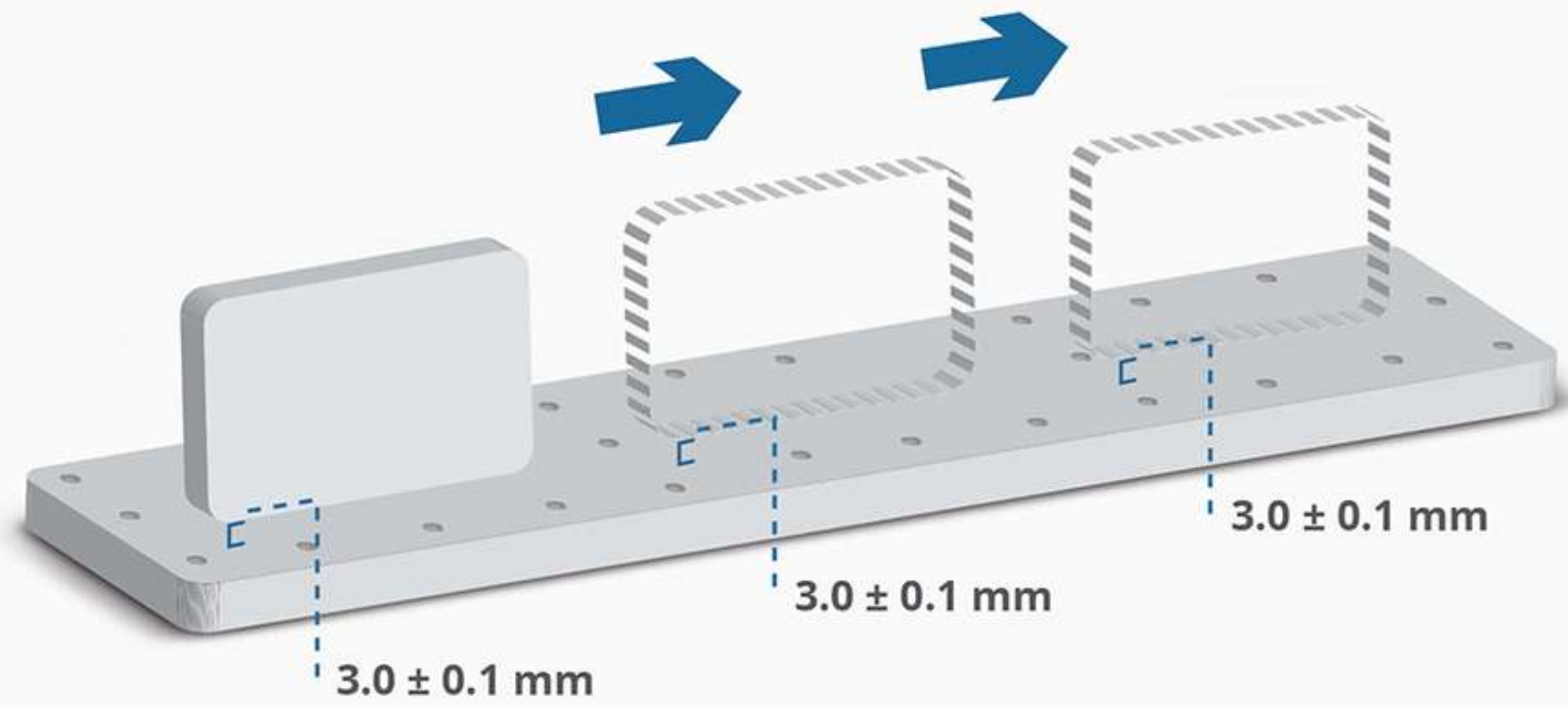
The heavy-duty forefront industrial print heads of the machine are engineered for lasting performance. It is an excellent alternative for huge savings on inks & time with pressure purge for individual colors.



PREMIUM FEATURES:



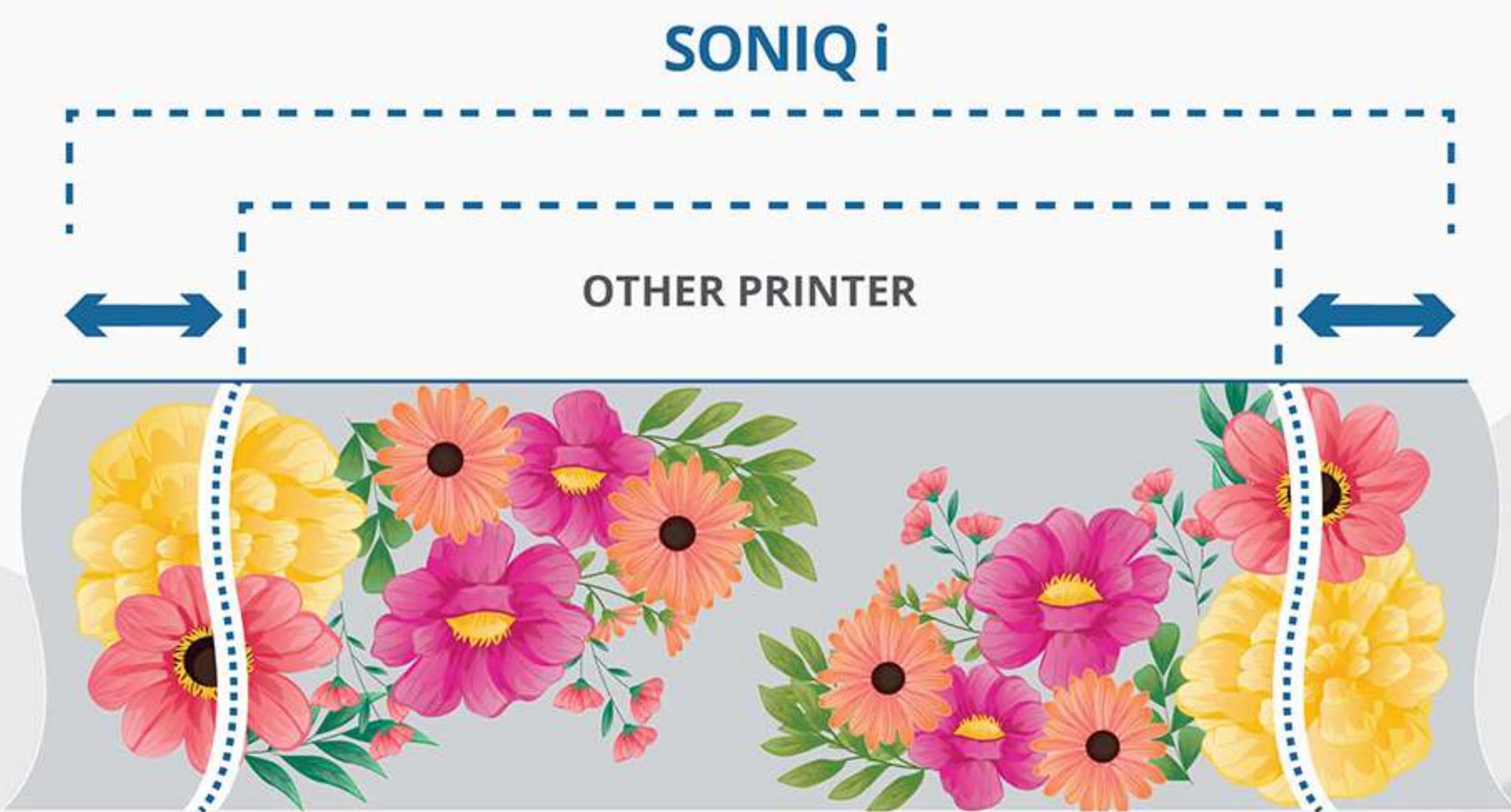
FGP (FOREFRONT GANTRY PRECISION) TECHNOLOGY



SoniQ i comes with unmatched FGP technology, which ensures extremely less deviation between jet to bed distance (<math><0.1\text{mm}</math>) over the entire printing span and maintains consistent print quality.



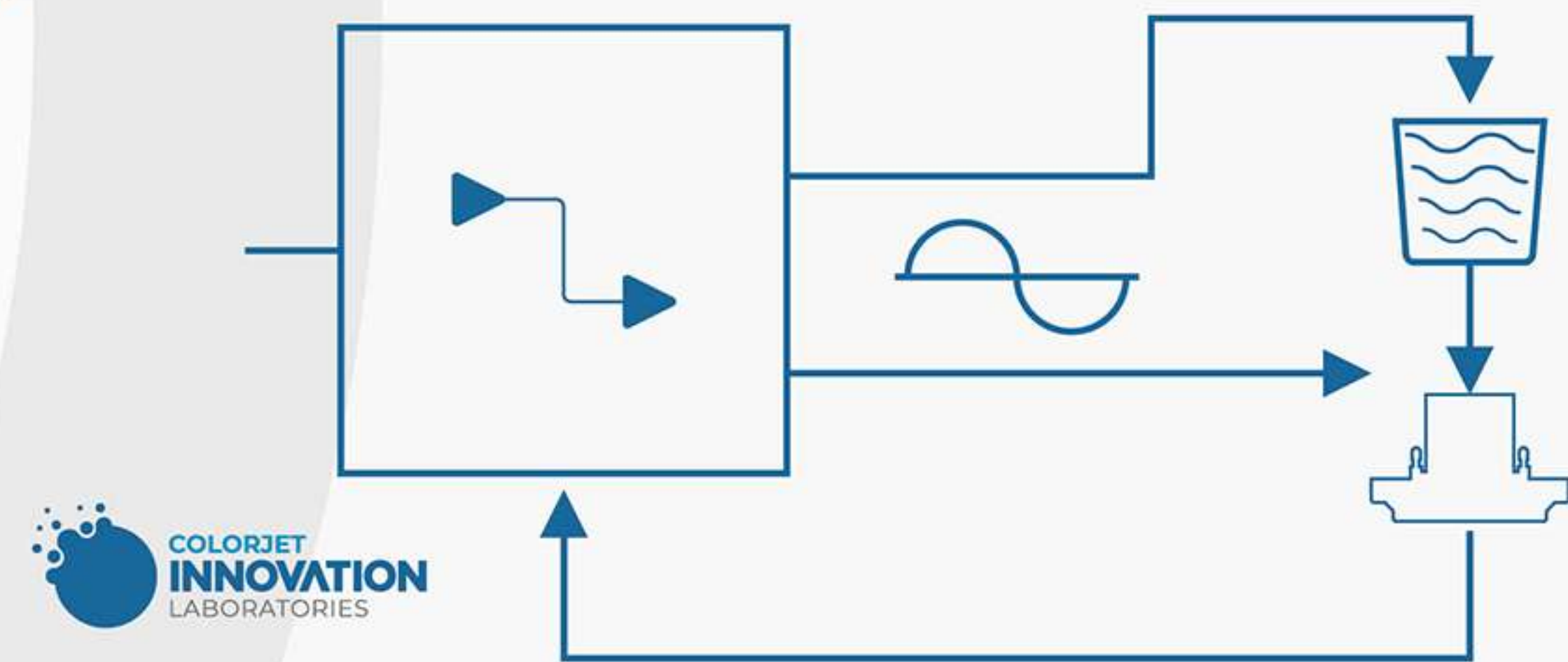
EDGE EXCELLENCE TECHNOLOGY



Enhance printing Precision on the Border of the Media and helps in the smooth change over of carriage direction, leading to less jerk and lesser wear and tear.



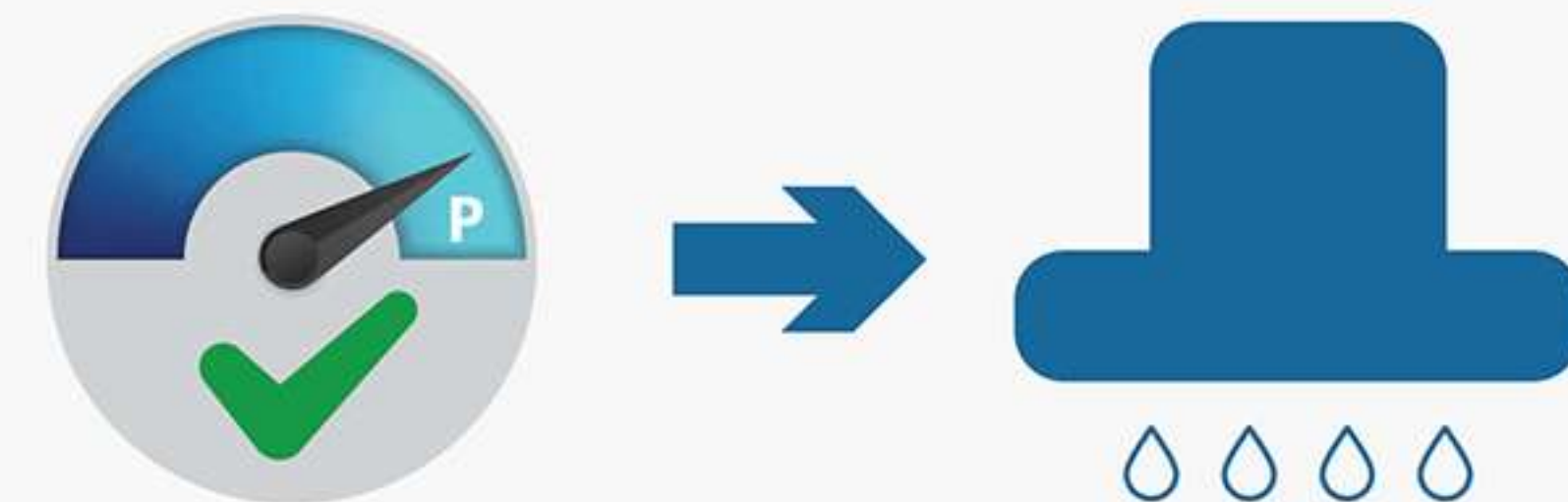
DIGITAL VISCOSITY OPTIMIZATION



Optimized with digital observation of **Ink viscosity curve**, which helps in maintaining a stable waveform of jetting and ensures constant print quality.



PRESSURE DECLOGGER



SoniQ i offers a fifth button for **declogging**, which helps in maintaining pressure for efficient cleaning and reducing ink wastage

ERGONOMIC PRINTING SOLUTION



AIRFLOW RESISTOR

UNLIMITED APPLICATIONS

Hoarding, Outdoor Banner, Backlit Hoardings, Dropdown Banner, Floor Standee, Backlit Display, Vehicle Wraps and Many More..

MAX RESOLUTION
1440 dpi

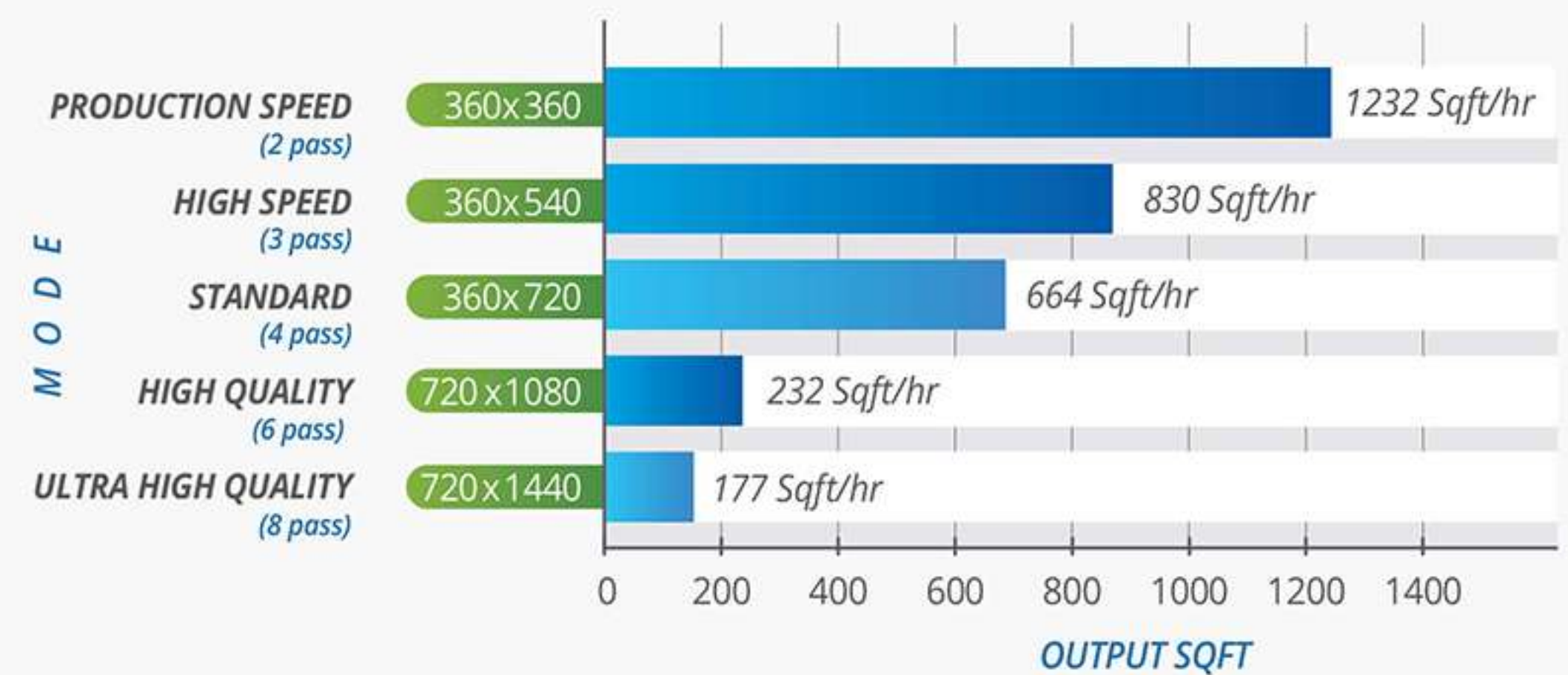
ENSURES LOWER CENTER OF GRAVITY TO KEEP THE MACHINE STABLE

INTEGRATED WORK STATION

MAX PRINT SPEED
1232 Sqft/Hr

SUPER POWER DRYER

SONIQ i
3.2 MTR Roll-to-Roll Printer
The super-fast innovation



Note: Take up roller option also provided